

## VISOR180 Mask Manual:

(Tutorial video is available on the website [www.visor180.eu](http://www.visor180.eu))

### I Preparation:

1. Wash / disinfect your hands to avoid leaving fingerprints and other marks on the mask. Then place all the parts of the kit in front of you: mask, strap, name tab, foam bar (fig. A). If you do not have a clean surface (e.g. fold it on the floor), you can use the cardboard insert from the packaging as a pad.
2. Sign the name tab - it can be, for example, your name, function, greeting or favorite slogan (Fig. B).

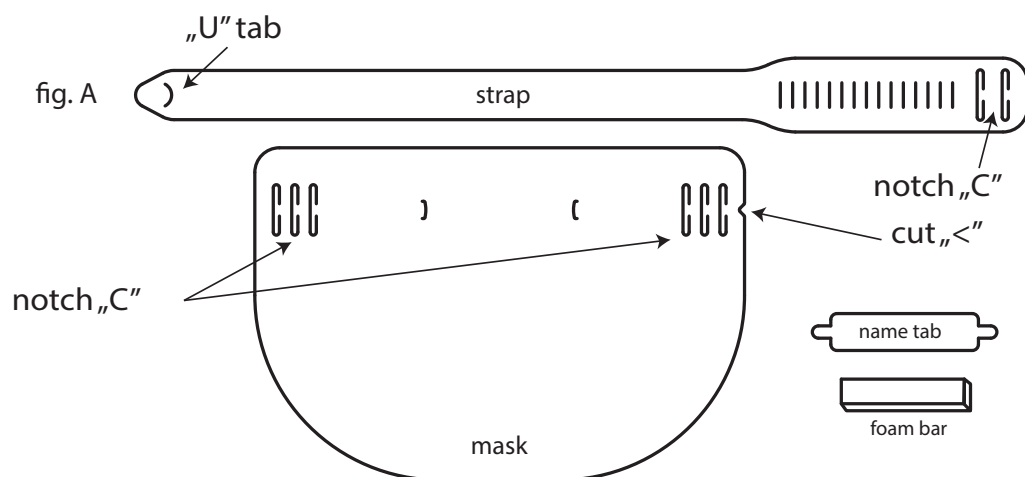
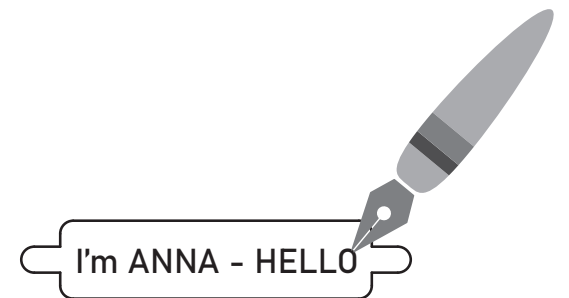


fig. B



### II Assembly:

3. Place the mask in front of you, so that the cut "<" on the side is on your right (fig. A)
4. Starting from the right side, put the narrow end of the strap through the three "C" on the mask starting from the bottom side (Fig. C).
5. Pull the strap and then put it through the three "C" notches on the other side of the mask.
6. Reverse the mask and place the name tab in the notches / holders in the center of the mask (Fig. D).
7. Reverse the mask again so that the narrow end of the strap is back on your left side.

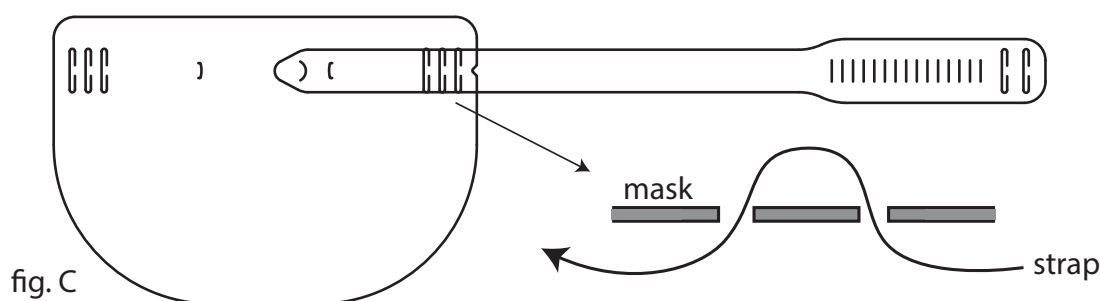
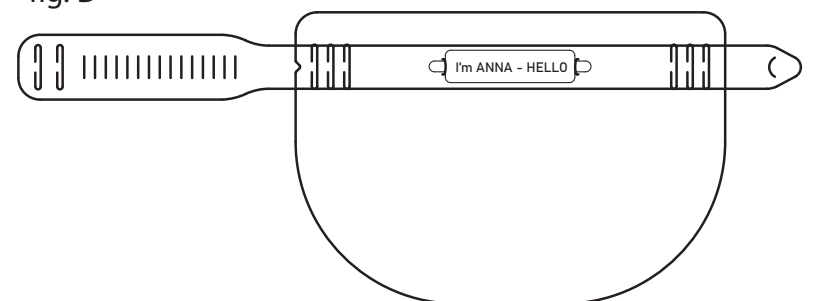


fig. D



### III Fastening the strap:

8. Stretch the strap, curving the mask.
9. Put the narrow end of the strap through the two notches "C" of the wider strap end, STARTING FROM THE TOP (fig. E).
10. Pre-adjust the strap length and diameter to your head.
11. Press the "U" tab of the narrow end of a strip into the desired notch "I" of the wider strip end. Lock the very end of the narrow end of a strap in the one of the following "I" notches.

### IV Adjusting the mask

12. Adjust the mask bow (e.g. slide it out if you wear glasses).
13. Decide if you need to apply a foam bar at the height of your forehead for greater comfort. Please remember to remove the foam bar before discarding used mask it into the trash bin for "PLASTIC". Foam bar should be disposed to the "OTHERS" trash bin (Fig. F).

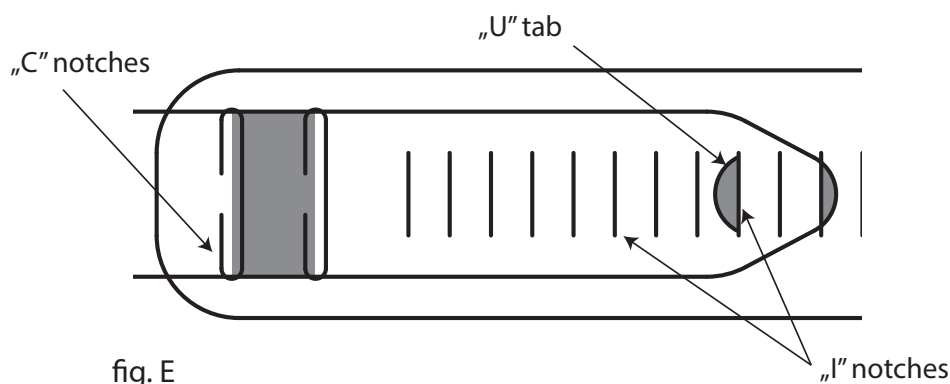


fig. F

foam bar

